



A8xxx/A9xxx Series DVP KIT User Manual

Revision History

Rev. No.	History	Date	REV. BY
0.0	Preliminary.	Jan. 04, 2016	Frank
0.1	DVP Type C list	May 13, 2016	Frank

AMICCOM CONFIDENTIAL

Important Notice:

AMICCOM reserves the right to make changes to its products or to discontinue any integrated circuit product or service without notice. AMICCOM integrated circuit products are not designed, intended, authorized, or warranted to be suitable for use in life-support applications, devices or systems or other critical applications. Use of AMICCOM products in such applications is understood to be fully at the risk of the customer.

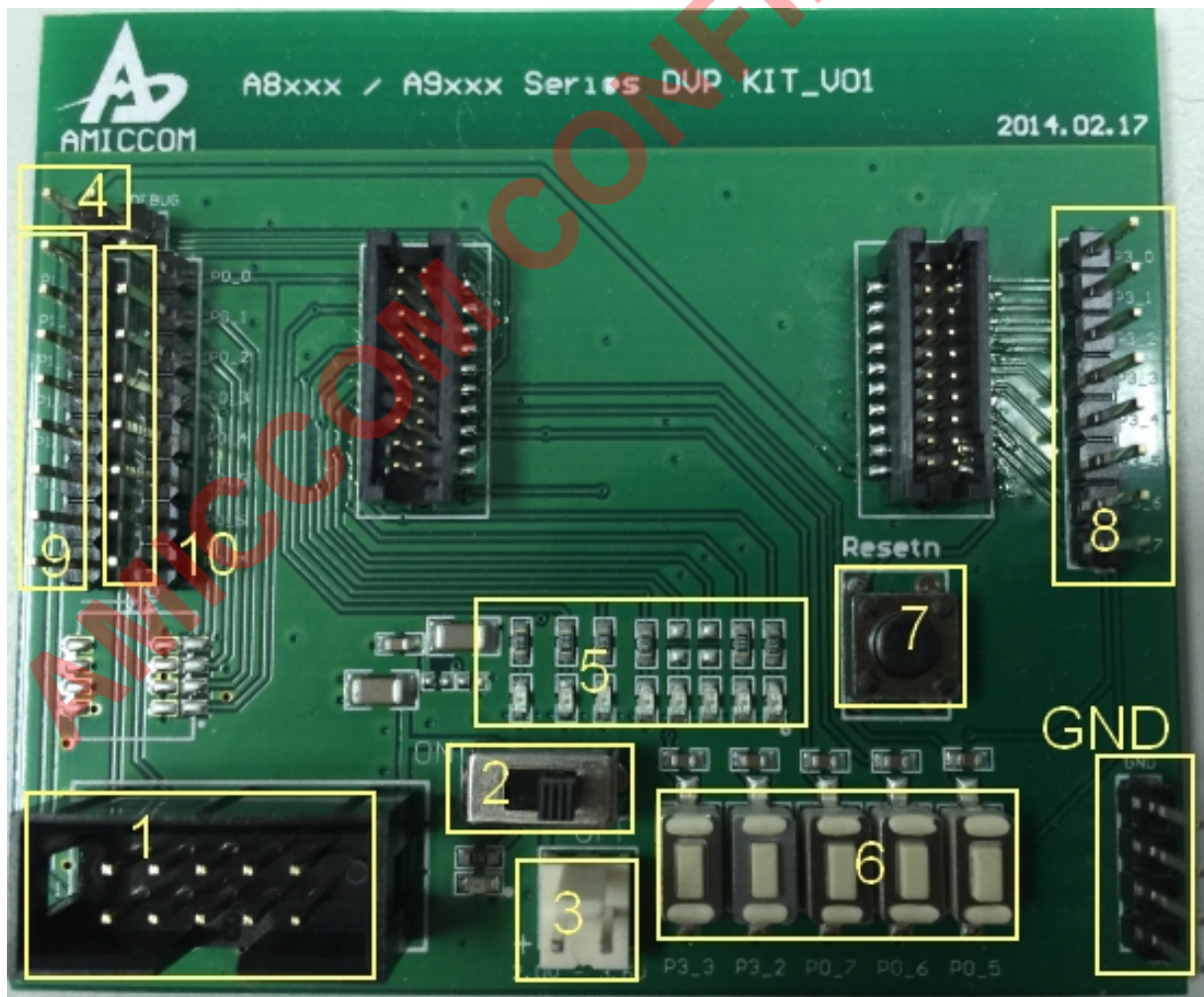
A8xxx/A9xxx Series DVP KIT 使用手冊

◆ 概敘：

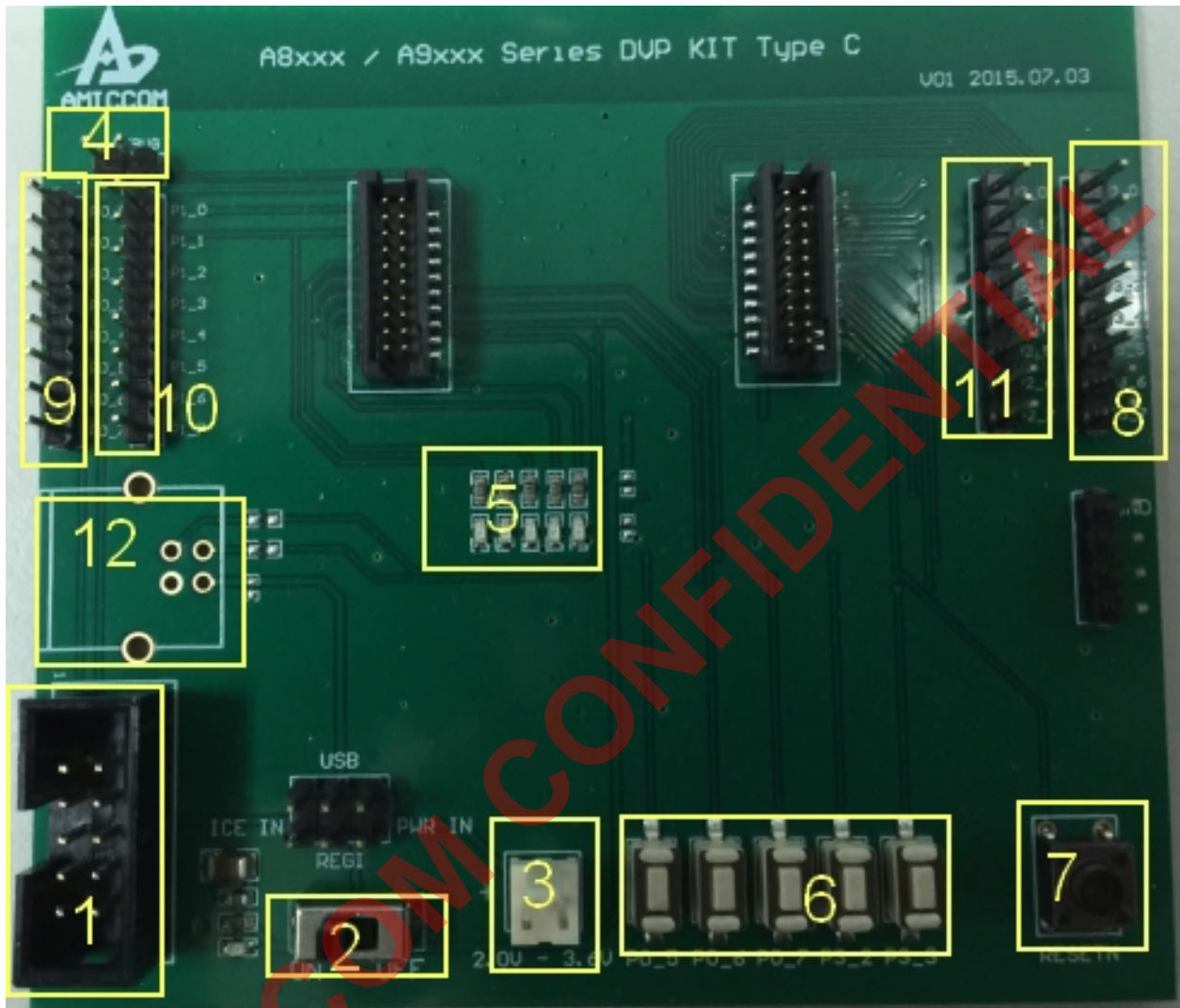
- A8xxx/A9xxx Series DVP KIT 主要為提供展示與協助工程人員開發笙科電子 (AMICCOM) 所生產之 Sub 1G / 2400 MHz ISM 頻段的無線應用 SoC Chip。

● 外觀

◇ Type B



✧ Type C

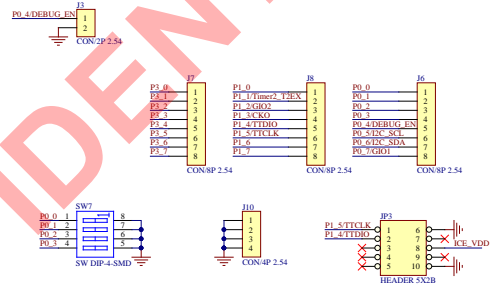
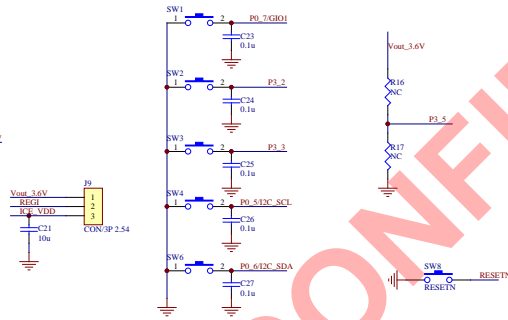
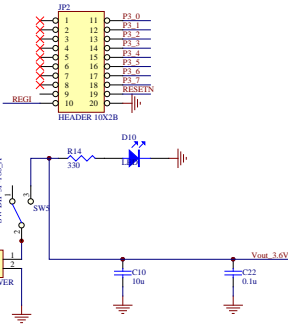
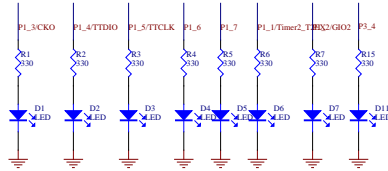
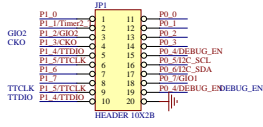


● **DVP KIT說明：**

1. ICE Connect 連接ICE處，請將ICE連接線插置此處。
 2. Power Switch ON/OFF開關(←ON；→OFF)
 3. Power Input +3V input
 4. Debug Jamp 如需download code或者debug，請短路此處。
 5. LED LED output，I/O接腳請參考Layout圖。
 6. KEY Button 提供 5 Key Button供開發使用，I/O接腳請參考Layout圖。
 7. Reset Key Reset Key
 8. P3 Pin P3 pin供觀察output或者輸入。
 9. P1 Pin P1 pin供觀察output或者輸入。
 10. P0 Pin P0 pin供觀察output或者輸入。
- (Type C)
11. P2 Pin P2 pin供觀察output或者輸入。
 12. USB Port USB Port。

AMICCOM CONFIDENTIAL

- Schematic圖：
- Type B

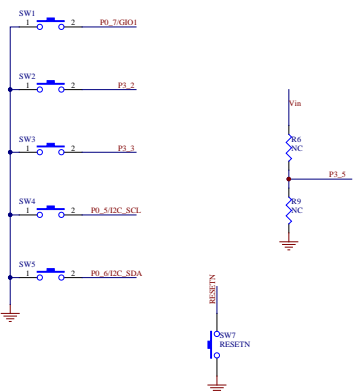
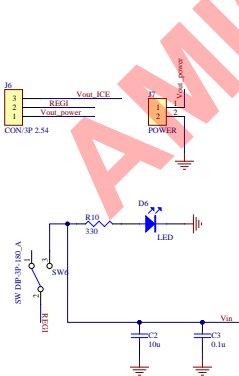
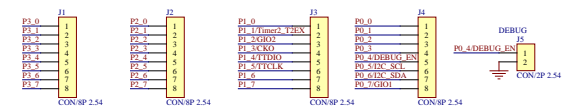
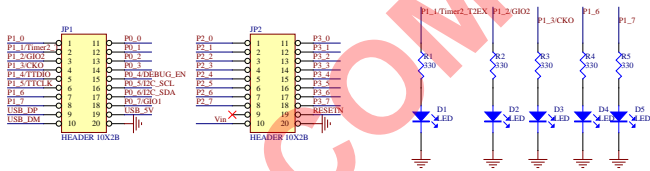


A810x DVP KIT_V00

2013.11.25

0.0

◆ Type C



A8xxx / A9xxx Series DVP KIT Type C

V00 2015.01.29